

I Application

Due to its sanitary and economical design, HYGINOX SEN pump is used as main process pump in the dairy, beverage, pharmaceutical and cosmetic industries.

The Hyginox SEN pump is a centrifugal stainless steel pump suitable for motor assembly according to the USA NEMA standards.

I Design and features

HYGINOX SEN pump is a range of close-coupled centrifugal pumps with hygienic design, compact and highly efficient. It is made of a cold-formed stainless steel casing, impeller, mechanical seal, pump cover, lantern and shaft.

I Mechanical seal

The Hyginox SEN pump is provided with an internal single mechanical seal. The seal is balanced and has a hygienic design. As standard, the stationary part is in carbon and the rotary part is in silicon carbide, the gaskets are in EPDM. However, when required, both parts of the mechanical seal can be in silicon carbide as well as the gaskets can be in FPM.

I Technical specifications**Materials:**

Parts in contact with the product *Stainless steel AISI 316L*

Other steel parts *Stainless steel AISI 304*

Gaskets in contact with the product *EPDM*

Mechanical seal:

Rotary part *Silicon carbide (SiC)*

Stationary part *Carbon (C)*

Gaskets *EPDM*

External surface finish *Bright polish*

Internal surface finish *Ra<0,8 µm*

Connections: *CLAMP*

Motor: *Premium Efficiency Nema C Face*

Operating limits:

Nominal pressure *10 bar* *145 PSI*

Temperature range *-10°C to +120 °C* *14 °F to 248 °F*

+140°C (SIP, max. 30 min.) *284 °F*

Maximum flow *100 m³/h* *440 US GPM*

Maximum differential head *95 m* *310 ft*

Maximum speed *3500 rpm*



SOURCE OF SOLUTIONS



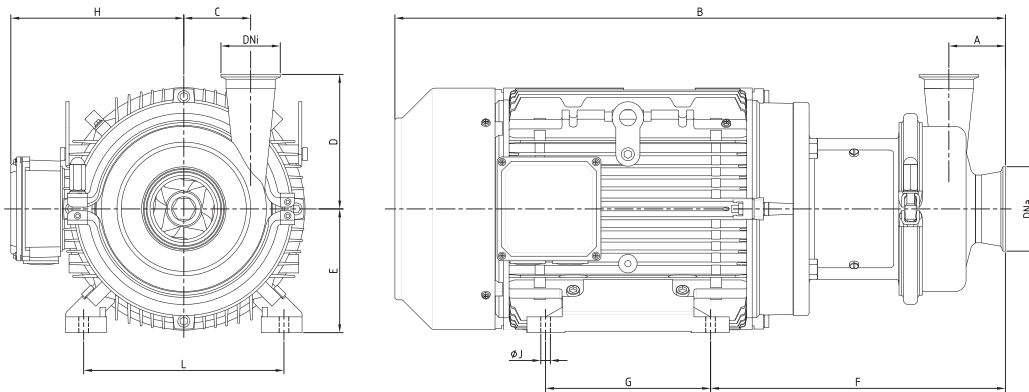
I Options

- Mechanical seal: C/StSt and SiC/SiC.
- Gaskets: FPM and PTFE.
- Drain port.
- Stainless steel motor.
- Trolley and/or control panel.
- Nema High Efficiency motors for T.56C motors up to 2 HP.



I General dimensions

Pump with NEMA Premium Efficiency motor



Pump	HP	Motor	Dna	Dni	A	B	C	D	E	F	G	H	ØJ	L
SEN-15	1	143TC	1 ½"	1 ½"	1,69	17,30	2,17	3,62	3,50	9,57	4,0	5,90	0,34	5,5
	2	145TC	1 ½"	1 ½"	1,69	18,30	2,17	3,62	3,50	9,57	5,0	5,90	0,34	5,5
SEN-20	5	184TC	2"	1 ½"	2,11	22,12	2,91	5,16	4,50	11,83	5,5	7,03	0,41	7,5
	10	215TC	2"	1 ½"	2,11	25,36	2,91	5,16	5,25	12,71	7,0	7,80	0,41	8,5
SEN-26	5	184TC	3"	2"	2,40	22,68	2,83	5,71	4,50	12,40	5,5	7,03	0,41	7,5
	10	215TC	3"	2"	2,40	25,91	2,83	5,71	5,25	13,26	7,0	7,80	0,41	8,5
SEN-28	5	184TC	1 ½"	1 ½"	2,38	22,08	4,17	5,39	4,50	11,79	5,5	7,03	0,41	7,5
	10	215TC	1 ½"	1 ½"	2,38	25,32	4,17	5,39	5,25	12,67	7,0	7,80	0,41	8,5
	20	256TC	1 ½"	1 ½"	2,38	30,95	4,17	5,39	6,25	13,95	10,0	9,96	0,53	10,0
SEN-35	10	215TC	3"	2"	3,05	26,16	4,09	6,42	5,25	13,51	7,0	7,80	0,41	8,5
	20	256TC	3"	2"	3,05	31,79	4,09	6,42	6,25	14,79	10,0	9,96	0,53	10,0
	30	286TC	3"	2"	3,05	34,36	4,09	6,42	7,00	14,79	11,0	10,63	0,53	11,0
SEN-36	10	215TC	4"	3"	2,32	25,44	3,86	7,24	5,25	12,80	7,0	7,80	0,41	8,5
	20	256TC	4"	3"	2,32	31,10	3,86	7,24	6,25	14,10	10,0	9,96	0,53	10,0
	30	286TC	4"	3"	2,32	33,60	3,86	7,24	7,00	14,10	11,0	10,63	0,53	11,0

Dimensions in inches.



The information contained in this brochure is for guidance only. We reserve the right to modify any material or feature without notice in advance. For further information, please, consult our web site. www.inoxpa.com



FT-HYGINOX SEN.1-EN-0114